

Assembly Guide Monteringsvejledning

Softline/Slimline - end panel bay

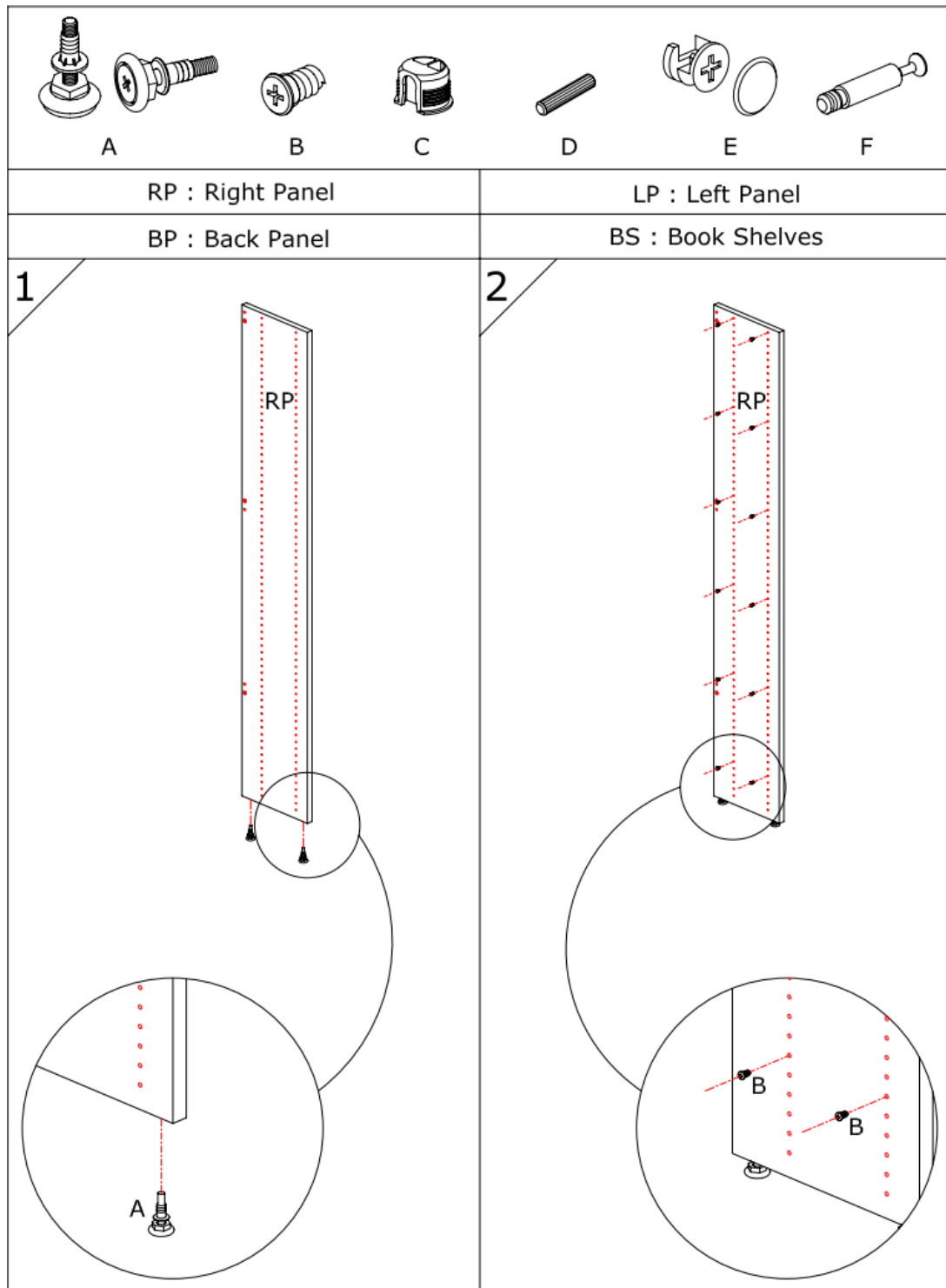


Assembly Guide

Assembly guide for Soffline/Slimline end panel bay

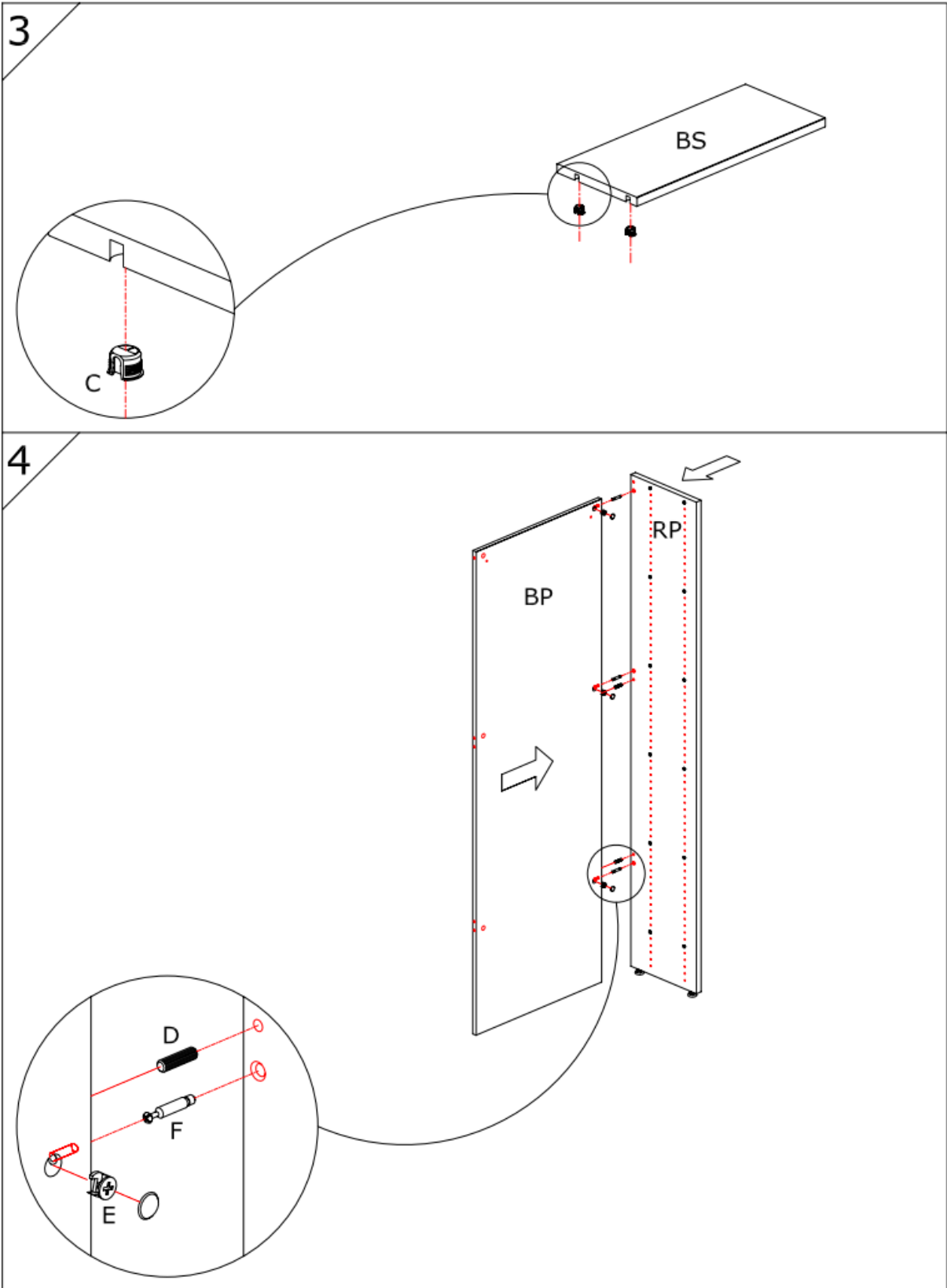
UK: First check the contents to make sure that nothing is missing. Sort out the screws and fittings as shown. Assemble your furniture step by step, as shown in the illustrations.

DK: Kontrollér først indholdet. Sortér skruer og beslag som anvisningen viser. Montér i nummerorden og som illustrationen viser.



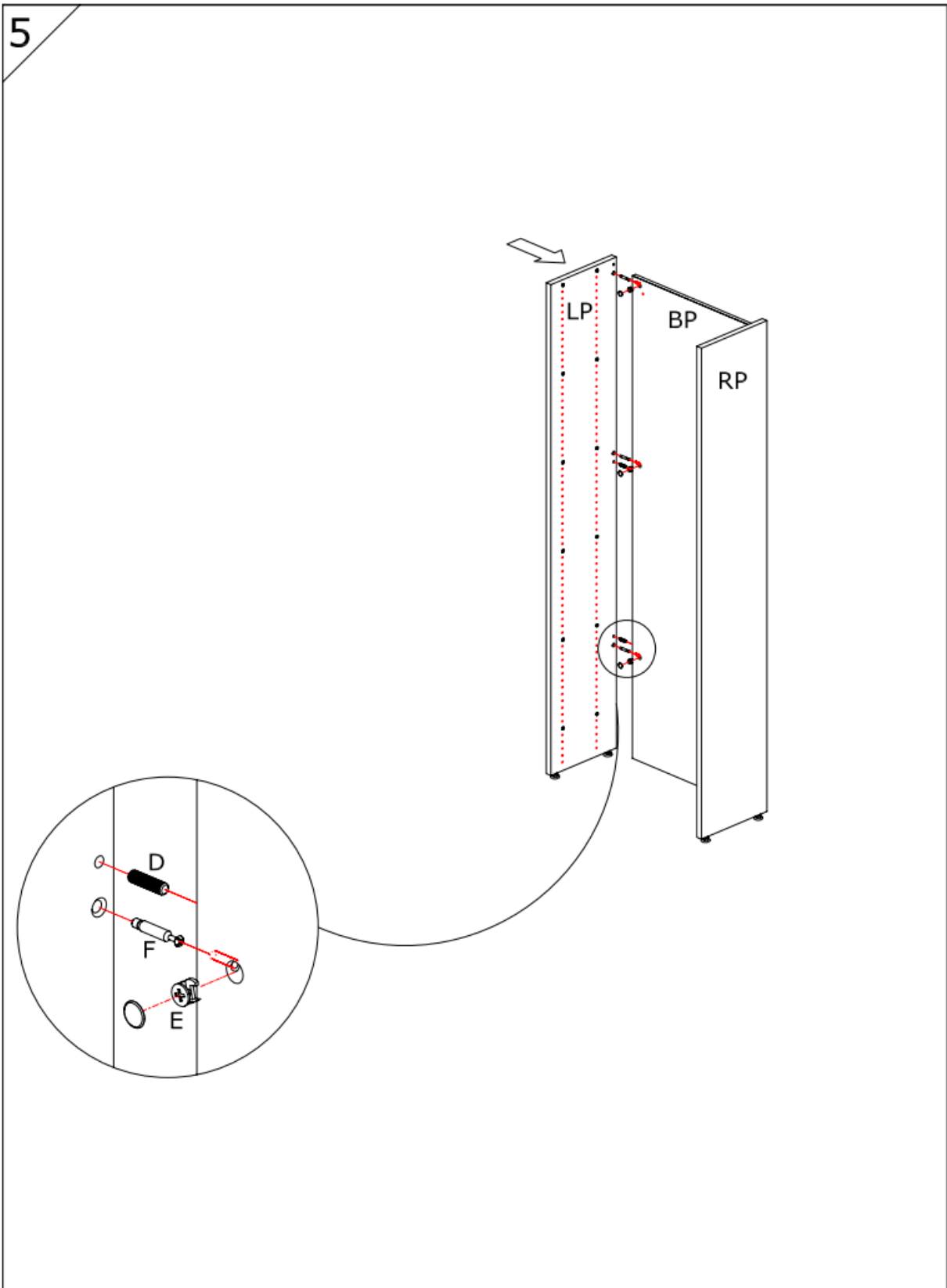
Assembly Guide

Assembly guide for Soffline/Slimline end panel bay



Assembly Guide

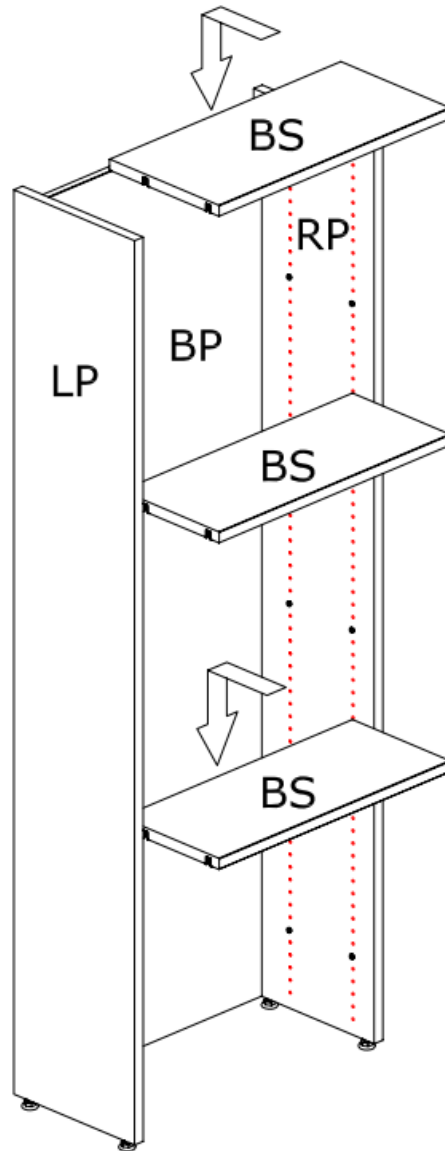
Assembly guide for Soffline/Slimline end panel bay



Assembly Guide

Assembly guide for Softline/Slimline end panel bay

6





WE ARE LIBRARY PEOPLE®



DENMARK

Lammhults Biblioteksdesign A/S
Dalbækvej 1
6670 Holsted

bci@bci.dk
www.lammhultsbiblioteksdesign.dk

GERMANY

Schulz Speyer Bibliothekstechnik AG
Friedrich-Ebert-Straße 2a
67346 Speyer

sales@schulzspeyer.de
www.schulzspeyer.de

BELGIUM/HOLLAND

SBNL – Schulz Benelux BVBA
Appelweg 94 C
3221 Holsbeek

info@sbnl.be
www.sbnl.be

SWEDEN

Lammhults Biblioteksdesign AB
Åkergränden 7
221 00 Lund

eurobib@eurobib.se
www.lammhultsbiblioteksdesign.se

FRANCE

BC Interieur S.A.R.L.
8, Allée Lorentz
77 420 Champs sur Marne

bci@bcinterieur.com
www.bcinterieur.fr

NORWAY

BS Eurobib AS
Postboks 6348
Malerhaugveien 20
0604 Oslo

post@bseurobib.no
www.bseurobib.no

UNITED KINGDOM

thedesignconcept Ltd.
Unit 12, Evans Business Centre
Belgrave Street
Bellshill ML4 3NP

info@thedesignconcept.co.uk
www.thedesignconcept.con.uk

Find our dealers on www.wearelibrarypeople.com

